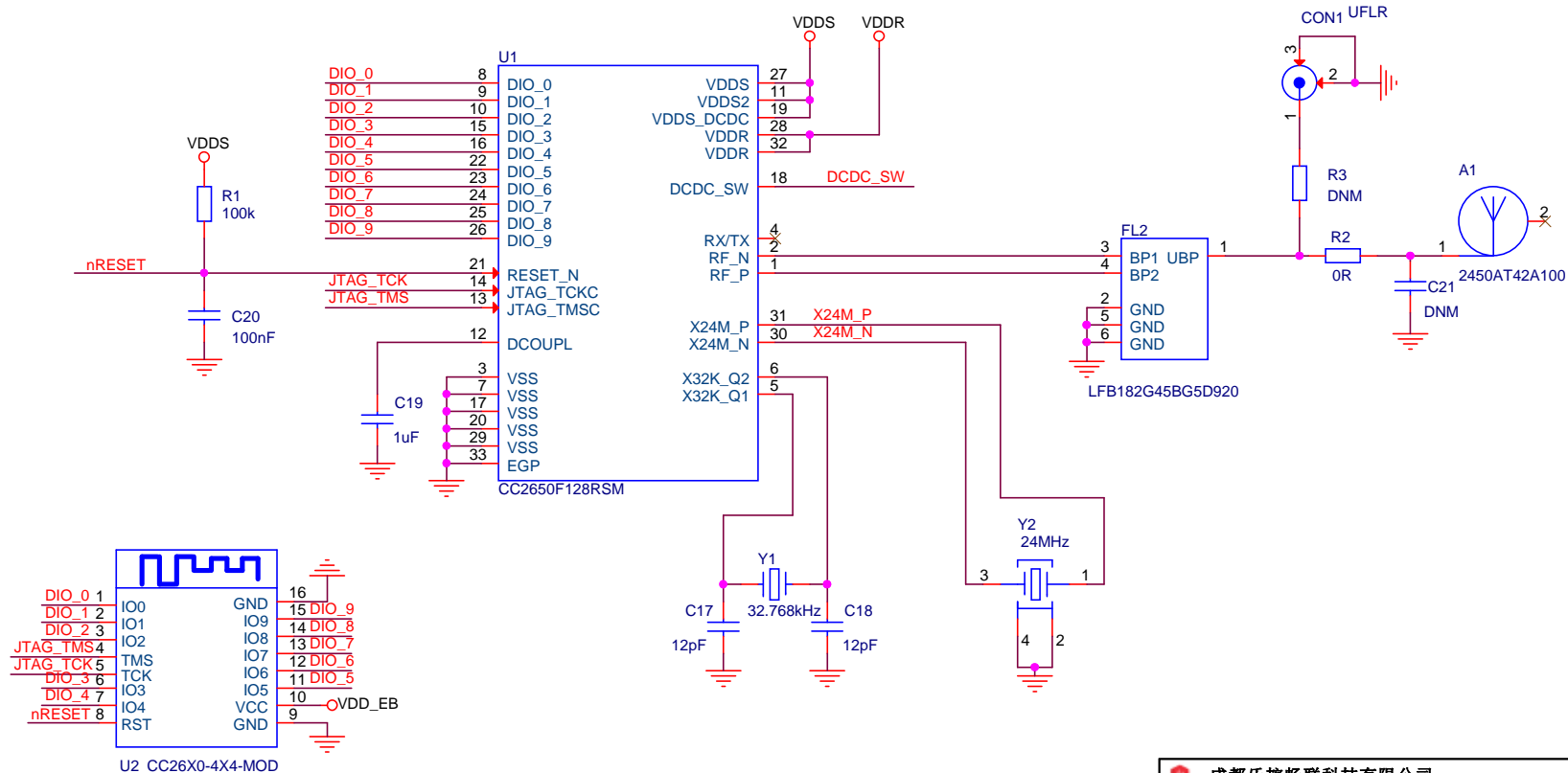


Place L1 and C8 close to pin 18



成都乐控物联科技有限公司		
Title CC26X0-4XD		
Size A4	Document Number LE-BT-03	Rev V1.1
Date:	Saturday, September 23, 2017	Sheet 1 of 1